



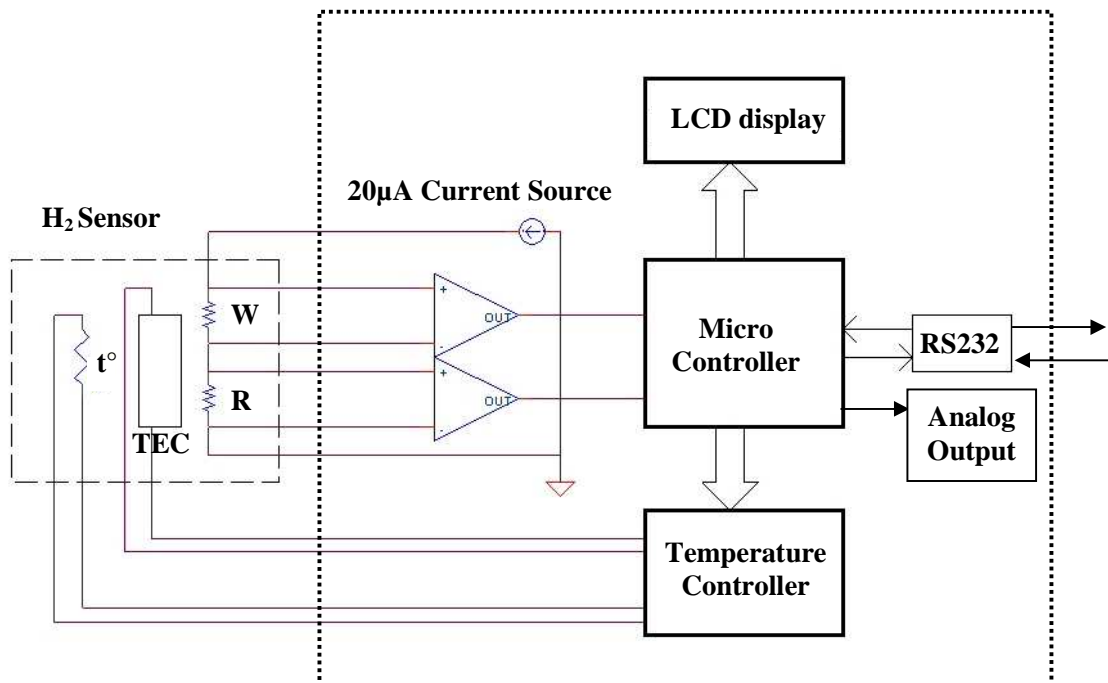
**Applied Nanotech, Inc.**  
A subsidiary of APPLIED NANOTECH HOLDINGS, INC.

3006 LONGHORN BLVD., SUITE 107 AUSTIN, TX 78758  
PHONE (512) 339-5020 ♦ FAX (512) 339-5021 ♦ WEBSITE: WWW.APPLIEDNANOTECH.NET

**Hydrogen Sensor Controller**  
*Model XHS-002*

**Specifications**

- Power consumption 12.5W peak  
4W at room temperature
- Power requirement 5VDC +/-5%, 3A
- Sensor interface DB15 connector
- Sensor output Digital 3.5 digits LCD  
0-3V Analog Output
- Computer interface RS-232
- Operating temperature -20°C to 80°C
- Reading resolution 0.001 % H<sub>2</sub> concentration
- Refresh time 1 second
- Dimensions 155 x 110 x 55 mm
- Weight 0.460 Kg
- Sensor compatibility Compatible with MNPSB-TO5, MNPSB -TO8, MNPSBL-TO5, MNPSBL -TO8
- External power supply Input 100~240V 50/60 Hz  
Output 5V DC, 4A



**Circuit Diagram for Hydrogen Sensor Controller**

Rev 03/09

IN USA AND EUROPE

+1 (512) 339-5020 EXT. 128 PHONE  
+1 (512) 339-5021 FAX  
SALES@APPLIEDNANOTECH.NET

IN ASIA +81-3-5214-6144 PHONE  
+81-3-5214-6148 FAX  
MMATT@NIFTY.COM